

The only OSB that withstands rain on-site, ideal for floors.

LP

BUILDING PRODUCTS

BUILD WITH US.



- ✓ Products designed for heavy-rain zones.
- ✓ Tongue and groove panels for an easier and faster installation.
- ✓ Calibrated panels that allow for a better floor finish.



LP

BUILDING PRODUCTS

TOPNOTCH

SUB FLOORING STRUCTURAL

■ Structural panel for floors

www.LPCHILE.CL



Always use personal protection elements



PRODUCT

LP TopNotch sub flooring structural panels are made in Chile with the highest technology by LP Building Products, world leader in OSB panel manufacturing. The tongue and groove panels edge alongside the panel makes it possible to eliminate supporting beams, improve the panels' joints, and strengthen the structure. As a result, when walking on the panel connections, these work together and do not move independently.

CHARACTERISTICS

LP TopNotch Panels are especially designed for sub flooring applications, since they have tongue and groove edges and they have a calibrated finish. These features deliver a better finished surface to receive carpets or laminate floors.

-LP Top Notch 350 Guard – anti termites, anti fungus and moisture resistant is recommended for rainy zones.

Sheet Size

- 18 mm 1220 x 2440 / 38 Kg / 45 per pallet

The real advance of LP Top Notch Panels is 1.21 m widthwise and 2.44 m. lengthwise.

These products are designed for areas with heavy rain. Tongue and groove panels for an easier and faster installation. Calibrated panels, featuring better flooring finishes.

STORAGE

Panels should be stored indoors in dry and clean areas, 100mm off the ground, on a flat surface and with 3 supporting shafts to avoid deformations. If piled outdoors, place them at least 100mm. off the ground and cover them with plastic, or tarp loose enough to allow air circulation.

Take all necessary precautions to prevent panel edges from splinting or damaging during transportation. Avoid dropping onto the floor.

STABILIZATION

According to Chilean Regulation 1198 “Wood and its derived elements must have, at the time of use, a moisture content equal to that of equilibrium moisture of its service location.”

A change in moisture content translates into the panels and wood dimensional variation (contraction and expansion). For this reason, it is important for the panel to reach the equilibrium moisture prior to installation.

It is recommended that this product is acclimated in the area where it will be installed, whether by placing them into slots or laying them separately along a wall so that each panel individually absorbs the environment moisture. Not to do so will result in deformations both in structures and in panels.

We recommend soaking the panels with 1 to 2 lts of water (on the rough side). In this manner, the finished side remains stable and the panel stabilizes with the equilibrium moisture in the installation site.

*With the aid of a surface hygrometer, compare with the installation site's equilibrium moisture. If it not enough, repeat the soaking process.

INSTALLATION
Prior considerations

LP Top Notch panels should not be in direct contact with concrete or construction area. Do not install on structures of green, moisture saturated, or warped wood. Before installing LP TopNotch in areas of ventilated floor, you must take all necessary precautions to isolate the floor from moisture coming off the ground and give the necessary moisture to prevent molding.

LP TopNotch requires indoor dry conditions, protected and well ventilated, in which the equilibrium moisture does not exceed 16%. However, normal exposure time to weather conditions during construction will not affect structural conditions.

LP TopNotch panels includes rain channels on their edges that allow water to quickly drain from the sub-floor during construction.

When installing the floor, the panels should not be in direct contact with water. We recommend protecting them with polyethylene. Take all precautions to eliminate accumulated water and prevent it from remaining on the panels. Not to do so will increase panels' thickness and structural loss on their edges.

Fastening

Panels must be screwed or nailed directly to the floor's support. Las head joints should always be supported in the joists.

Use zinc or galvanized fasteners, 6x40mm or 6x50mm and 63mm nails. Fasten the panels 10mm away from the edge, every 150mm in the perimeter and every 300mm in the interior support.

To decrease impact noise and screeches, we recommend using screws as fasteners. Between the panel and the joist, you can install a sealer or use polyurethane structural adhesives, or hybrid ones such as AFG-01 or

ASTM-D3498, which also contribute to a better structure performance.

Sealed edges

LP delivers products with their sealed edges so as to avoid panel deformation in their thickness caused by moisture and future damage in the perimetral fastening. For this reason, we recommend painting the cuts and drills with opaque paint to seal the panel again.

Set up

LP TopNotch should be installed joint to one another and perpendicular to their supporting sides (as shown in picture), since its three-layer composition have a better longitudinal resistance (lengthwise) than cross-wise. Do not push the panels too much when joining them. The tongue and groove have a built-in separation. Always leave 5 mm space on the sides and edges of all the panels to allow them to expand.

To fasten the panel to the floor structure, start from the center towards the sides. This will prevent the panels from becoming tense during installation.

The advantage of using tongue and groove panels is that they eliminate supporting beams as a supporting method below the panels' edges. Supporting beams should be considered in case of using LP OSB.

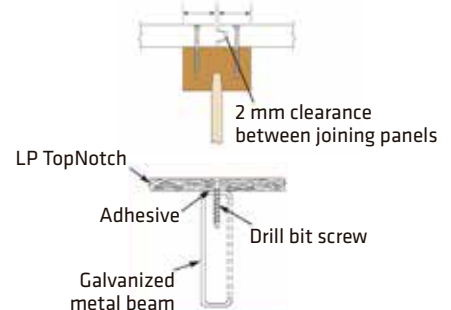
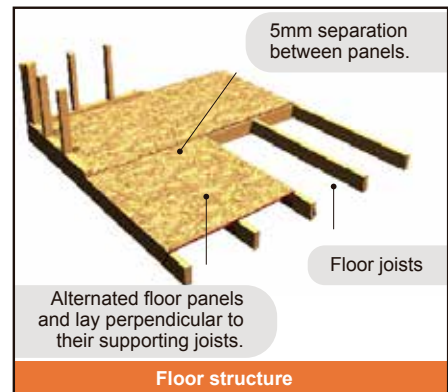
It is recommended that you structure the floor's framework in the following manner:

- For LP Top Notch 18 mm = span 60cm.

For floor structures, the maximum recommended loads for panels installed perpendicular to their supporting sides are:

Thickness	Joist width	Permissible live loads (kG/M ²) (a/b)			
		Maximum separation between supports (cm)			
18	50	30	40	48	60
		1172	781	488	

[a] we assume a 48.8 kg/m² (10psf) dead load.
[b] Deflection limit L/360 for live load on floor



FINISH FLOORING

If panels have become wet during construction, they should be allowed to dry before application of finish flooring, including carpet, underlay or hardwood flooring, etc. When panels are dry, check the floor for flatness, especially at joints. Sand edge joints, if needed. (This step may not be necessary for some carpet and structural flooring products. Check flooring manufacturer's recommendations)

Fill any panel voids or depressions with wood putty, and sand all surface roughness.

LP TopNotch Sub-Flooring is a suitable substrate for carpets installed with pad, thick wood strip or parquet flooring, laminate floor, or light concrete.

IMPORTANT

We recommend following all the instructions in this guide before using the product. Should you have any questions, contact our technical support team at sales@ititimspec.co.nz or 0800 ITI NZL